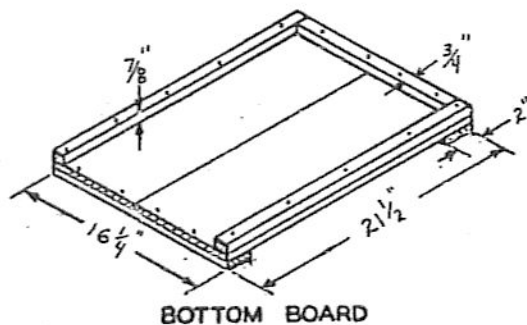
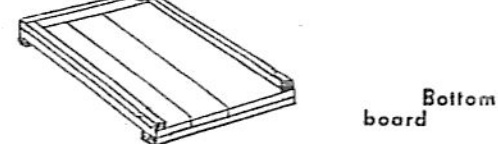
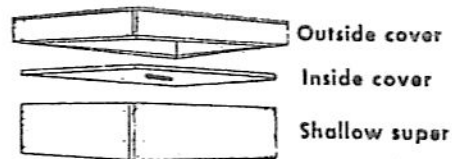
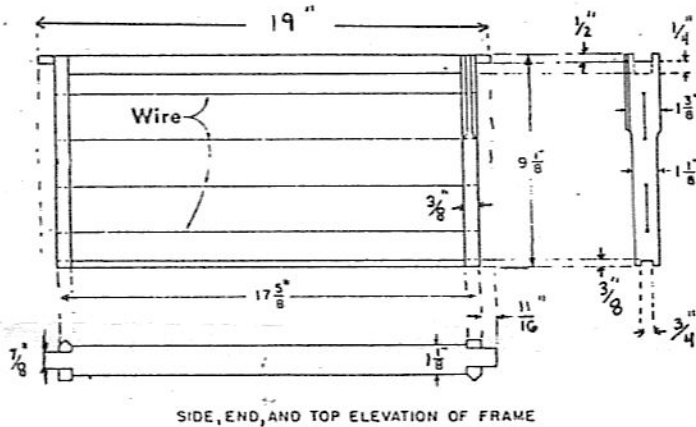
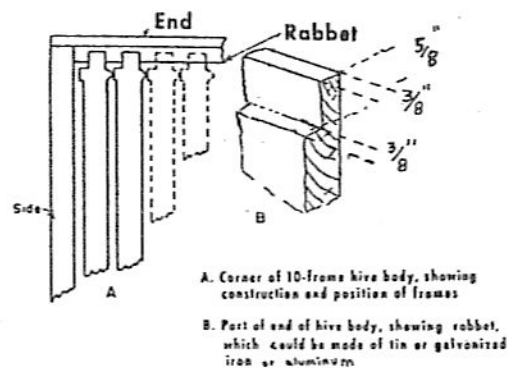
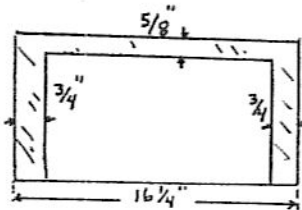
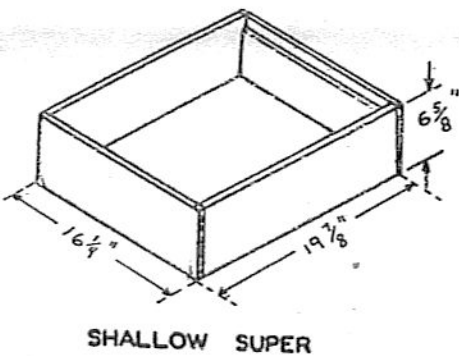
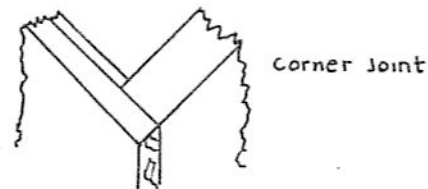
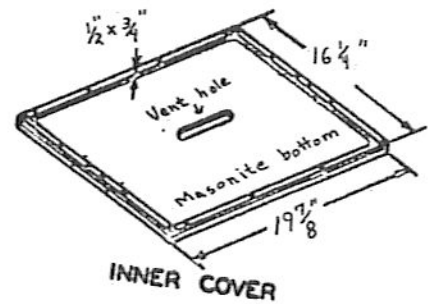
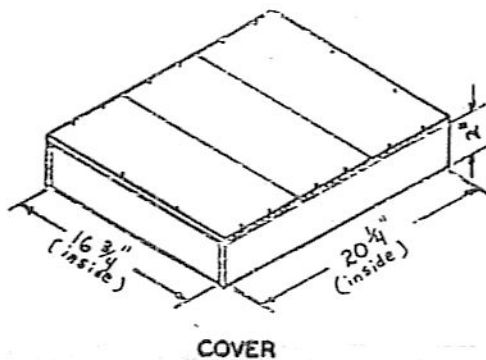


Hive body & super made from 3/4" boards

Note: Cover top with metal or waterproof material



**BEE HIVE (10 Frame Langstroth)**

from USDA Agr. Handbook No. 335  
 by N.C. State University  
 Agr. Extension Service